

微波炉

用户手册

MMO-MM920MZ(BK)

MMO-MM920MZ(WH)

警告通知：使用本产品前，请仔细阅读本手册并妥善保存，以供日后参考。因产品升级所作设计和规格改变恕不另行通知。详询经销商或制造商。
上图仅供参考。请以实际产品的外观为准。

感谢信

感谢您选择美的！使用新的美的产品之前，请仔细阅读本手册，以确保您知道如何安全地操作新设备的各项功能。

内容







感谢信	01
安全说明	02
规格	11
产品概述	12
产品安装	13
操作说明	14
清洁和维护	16
故障排除	17
商标、版权和法律声明	18

安全说明

预期用途

下列安全指南用于防止因不安全或不正确地操作设备而造成的不可预见风险或损坏。产品送达后，请检查包装和设备，确保完好无损，从而保证安全运行。如果发现任何损坏，请与零售商或经销商联系。请注意，为了您的安全，请勿对设备进行任何改造。将本设备用于预期用途以外的用途可能导致危险和保修索赔失效。

符号说明

	危险 该符号表示极易燃气体体会危及人的生命和健康安全。
	电压报警 该符号表示电压会危及人的生命和健康安全。
	警告 该符号表示中等风险的危险，如果未能避免，可能导致死亡或重伤。
	小心 该符号表示较低风险的危险，如果未能避免，可能导致轻度或中度伤害。
	注意 该符号表示重要信息（如财产损失），但不表示危险。
	遵守指示 该符号表示维修技术人员只能按照操作说明操作维护本设备。

使用 / 调试设备之前，请仔细阅读这些操作说明，并将它们保存在安装现场或设备附近，以备后用！

避免可能暴露于过量微波能的预防措施

- a. 禁止在门打开的情况下操作该微波炉，因为这会导致有害的微波能暴露。不得破坏或篡改安全联锁装置。
- b. 禁止在微波炉正面和门之间放置任何物体，或在密封面上堆积土壤或清洁剂残留物。
- c. 警告：如果门或门密封件损坏，那么在合格人员维修之前，不得操作微波炉。

补遗

如果设备没有保持清洁，那么其表面可能会退化，影响设备的使用寿命，并造成危险。

重要安全说明

▲ 警告

为降低使用本设备时发生火灾、触电、人身伤害或过量微波炉能暴露的风险，请遵循以下基本预防措施：

- 阅读并遵循以下具体内容：“避免可能暴露于过量微波能的预防措施。”
- 本设备不适用于身体、感官或心理素质较低，或者缺乏经验和知识的人（包括儿童），除非他们在对其安全负责的人员的监督或指导下使用本设备。
- 请看管好儿童，切勿让儿童玩耍本设备。
- 如果电源线损坏，必须由制造商、其服务代理或类似合格人员进行更换，以免发生危险。
- 警告：为避免发生触电的可能性，在更换灯具前，请确保关闭设备。
- 警告：除合格人员外，任何人进行维修操作（例如拆除防止微波能暴露的盖子）时都是危险的。

- 警告：不得将液体和其他食物放在密封容器中进行加热，因为这样很容易引发爆炸。
- 加热塑料或纸质容器中的食物时，请随时观察微波炉，因为可能会着火。
- 只能使用适用于微波炉的器具。
- 如果冒烟，请关闭设备或拔下插头，并保持门关闭，以扑灭火焰。
- 用微波炉加热饮料会导致延迟喷发沸腾，因此在拿取容器时必须小心。
- 为避免烫伤，在饮用前，应搅拌或摇动奶瓶和婴儿食物罐的内容物，并检查温度。
- 不得将带壳的鸡蛋和全熟鸡蛋放在微波炉中加热，因为即使在微波加热结束后，它们也可能爆炸。
- 应定期清洁微波炉，并清除食物沉积物。
- 未能保持微波炉清洁可能导致表面劣化，从而可能影响设备的寿命，并造成危险。
- 为避免过热，禁止将设备安装在装饰门后。
(该要求不适用于带装饰门的设备。)

- 仅使用本微波炉推荐的温度探头。（适用于配有温度传感探头设施的微波炉。）
- 除非已在机柜中开展测试，否则不得将微波炉放置在机柜中。
- 必须在装饰门打开的情况下操作微波炉。（适用于带装饰门的微波炉。）
- 本设备拟用于家用和下列类似用途：
 - 车间、办公室和其他工作环境中的员工厨房区域；
 - 宾馆、汽车旅馆和其他居住环境的客户；
 - 农舍；
 - 住宿加早餐类环境。
- 微波炉用于加热食物和饮料。如果用于干燥食物或衣服以及加热电热垫、拖鞋、海绵、湿布等可能导致受伤、着火或火灾等风险。
- 微波烹饪时，不得使用金属容器盛装食物和饮料。
- 不得使用蒸汽清洁器清洁本设备。
- 本设备为独立式设备。
- 设备的背面应靠墙放置。

仔细阅读并留存备查

降低对人员接地装置造成伤害的风险

⚠ 危险

触电危险——触摸某些内部部件会造成严重的人身伤害或死亡。请勿拆卸本设备。

⚠ 警告

触电危险——接地不当会导致触电。

在设备正确安装和接地之前，请勿将插头插入插座。

本设备必须接地。发生电气短路时，接地通过提供电流逃逸线来降低触电风险。

该设备配有一根带接地插头的接地线。插头必须插入正确安装和接地的插座中。

如果不完全理解接地说明，或者如果对设备是否正确接地存在疑问，请咨询合格的电工或维修人员。

如果需要使用延长线，只能使用 3 线延长线。

- 提供短电源线，以减少被长电源线缠住或绊倒的风险。

- 如果使用长线组或延长线：
 - 线组或延长线的标记电气额定值应至少等于设备的电气额定值。
 - 延长线必须是接地型三线线。
 - 长线的布置应确保其不会悬垂在台面或桌面上，从而被儿童拉住或无意中绊倒他人。

器具

⚠ 小心

人身伤害危险

除合格人员外，任何人进行维修操作（例如拆除防止微波能暴露的盖子）时都是危险的。参见“可在微波炉中使用或避免在微波炉中使用的材料”的说明。在微波炉中使用某些非金属器具可能也是不安全的。如有疑问，您可以按照以下程序对相关器具进行测试。

器具测试：

- 将 1 杯冷水（250 ml）注入在微波炉中安全使用的容器和相关器具中。
- 在最大功率下烹饪 1 分钟。
- 仔细感受器具。如果空器具是温暖的，请勿用于微波烹饪。
- 烹饪时间不得超过 1 分钟。

微波炉中可以使用的材料

器具	备注
烤盘	遵循制造商的说明。烤盘的底部必须至少高于转盘 3/16 英寸 (5 mm)。使用不当可能导致转盘断裂。
餐具	只能在微波炉中安全使用。遵循制造商的说明。切勿使用有裂纹或缺口的盘子。
玻璃罐	务必取下盖子。只能将食物加热至刚刚变暖的程度。大多数玻璃罐不耐热，可能会破裂。
玻璃器皿	仅限微波炉耐热玻璃器具。确保没有金属饰件。切勿使用有裂纹或缺口的盘子。
微波炉烹饪袋	遵循制造商的说明。切勿使用金属扎带封闭。留出缝隙使蒸汽逸出。
纸盘和纸杯	仅用于短时间烹饪 / 加热。烹饪时，请勿让微波炉无人看管。
纸巾	用来覆盖食物，以重新加热和吸收脂肪。仅在监督下用于短时间烹饪。
羊皮纸	用作盖子防止飞溅，或用作包装防止蒸汽冒出。
塑料	只能在微波炉中安全使用。遵循制造商的说明。应贴上“可用于微波炉”的标签。一些塑料容器会随着内置食物变热而软化。应按照包装上的说明，对“沸腾袋”和密封塑料袋进行撕开、穿孔或通风处理。
保鲜膜	只能在微波炉中安全使用。烹饪时用来覆盖食物以保持水分。切勿将保鲜膜接触食物。
温度计	仅在微波炉中安全使用（肉类和糖果温度计）。
蜡纸	用作盖子来防止飞溅并保持湿气。

不适用于微波炉的材料

器具	备注
铝托盘	可能导致电弧放电。将食物转移到可以在微波炉中安全使用的盘子中。
带金属手柄的食物纸箱	可能导致电弧放电。将食物转移到可以在微波炉中安全使用的盘子中。
金属或金属装饰器具	金属会妨碍食物受微波能作用。金属饰件可能导致电弧放电。
金属扎带	可能导致电弧放电，并可能导致微波炉起火。
纸袋	可能会导致微波炉起火。
塑料泡沫	塑料泡沫在遇到高温时可能会熔化或污染内部液体。
木制品	木制品在微波炉中使用时会变干，并可能开裂。

规格

型号	MMO-MM920MZ(BK) MMO-MM920MZ(WH)
额定电压	230-240V ~ 50 Hz
额定输入功率 (微波)	1020W
额定输出功率 (微波)	700W

产品概述

微波炉零件和配件名称

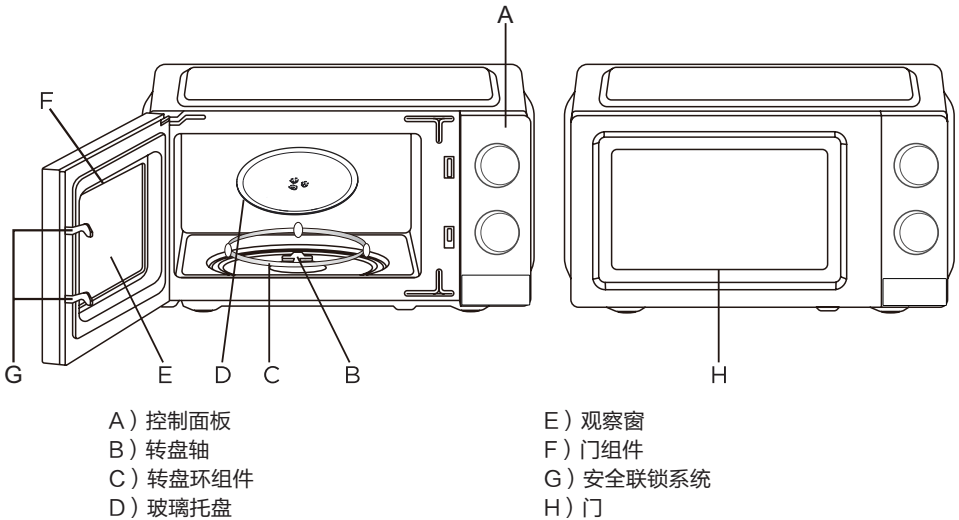
(若产品实物与手册中的图片有差异, 请以实物为准。)

▲警告

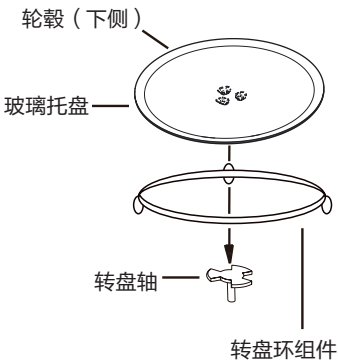
从纸箱和微波炉腔体中取出微波炉和所有材料。

微波炉配件包括:

玻璃托盘	1
转盘环组件	1
说明书	1



转盘安装



- 切勿倒置玻璃托盘。切勿限制玻璃托盘的转动。
- 烹饪期间必须始终使用玻璃托盘和转盘环组件。
- 烹饪时, 所有食物和食物容器要始终放在玻璃托盘上。
- 如果玻璃托盘或转盘环组件出现裂纹或断裂, 请联系离您最近的授权维修中心。

产品安装

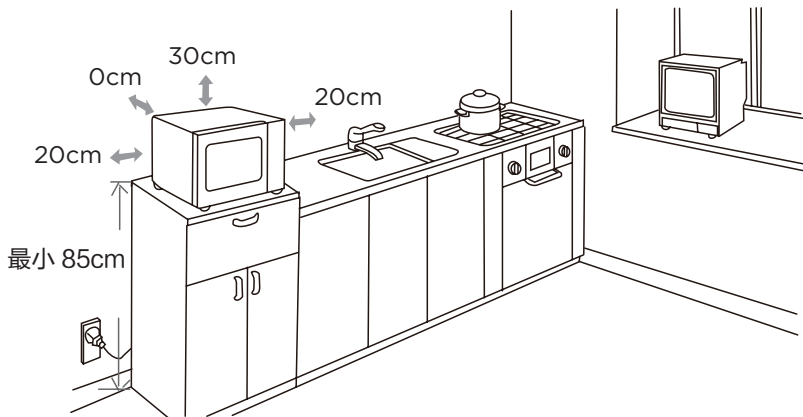
台面安装

拆除所有包装材料和配件。检查微波炉是否存在凹陷或门破裂等损坏情况。如果微波炉损坏，请勿安装。

机柜：去除微波炉机柜表面的所有保护膜。请勿取下粘在微波炉腔体上保护磁控管的波导盖。

安装

1. 选择一个水平面，为进气口和 / 或排气口留出足够的开放空间。



- 最小安装高度为 85 cm。
 - 设备的背面应靠墙放置。
在微波炉上方留出至少 30 cm 的间隙，并在微波炉和任何相邻墙壁之间至少留出 20 cm 的间隙。
 - 请勿取下微波炉底部的支脚。
 - 堵塞进气口和 / 或排气口会损坏微波炉。
 - 将微波炉尽可能远离收音机和电视。微波炉运行时可能会干扰收音机或电视接收信号。
2. 将微波炉插头插入标准家用插座。请确保微波炉的电压和频率与标签上的额定电压和频率相同。

⚠ 警告

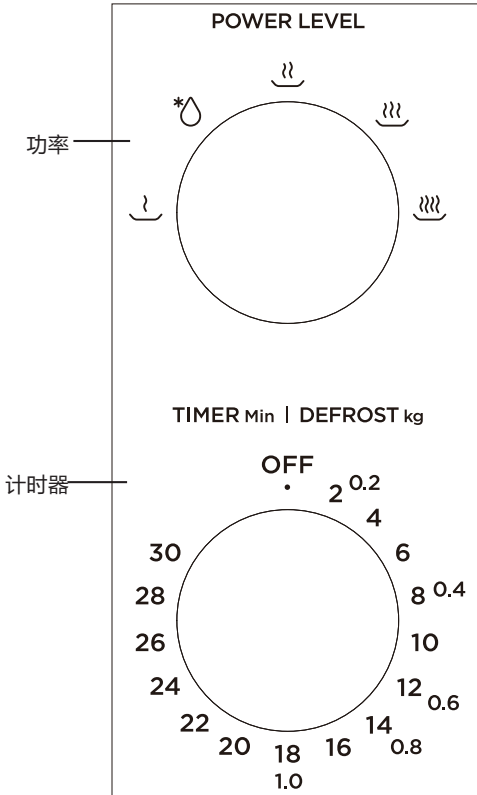
切勿将微波炉安装在炉灶或其他发热设备上方。如果安装在热源附近或上方，微波炉易损坏，且该损坏不在保修范围内。

在运行过程中，可接触表面可能很烫。



操作说明

控制面板和功能



1. 将电源旋钮旋转到所需功率等级来设置烹饪功率。
2. 按照食物烹饪指南将计时器旋钮旋转到所需时间来设置烹饪时间。
3. 设置好功率等级和时间后，微波炉将自动开始烹饪。
4. 烹饪时间到后，设备会发出“咚”的声音停止烹饪。
5. 如果设备不使用，请始终将时间设置为“0”。

功能 / 功率	输出	应用
	17% 微波能	软化冰淇淋
	33% 微波能	炖汤、软化黄油或解冻
	55% 微波能	炖鱼
	77% 微波能	米饭、鱼、鸡肉、碎肉
	100% 微波能	再次加热、牛奶、开水、蔬菜、饮料

注意

从微波炉中取出食物时，请将时钟开关拨至 0（零），确保断开微波炉电源。未断开电源，以及运行空微波炉会导致磁控管过热和损坏。

清洁和维护

确保断开设备的电源。

- 使用后，用稍湿的布清洁微波炉腔体。
- 按常规方法用肥皂水清洗配件。
- 门框、密封件和相邻部件脏污时，必须用湿布仔细清洁。
- 切勿使用粗糙的擦洗剂或锋利的金属刮刀来清洁微波炉门玻璃，因为它们会划伤表面，从而可能导致玻璃破碎。
- 清洁提示——为了方便清洁熟食可能接触到的腔体壁：将半个柠檬放入碗中，加入 300 ml (1/2 品脱) 水，并在 100% 微波功率下加热 10 分钟。用柔软的干布将微波炉擦拭干净。

故障排除

正常


微波炉干扰电视的信号接收	微波炉运行时，可能会干扰收音机和电视的信号接收。这与搅拌机、吸尘器、电风扇等小型设备造成的干扰类似。这是正常的。
昏暗的微波炉灯光	在低功率下运行微波炉时，其光线可能变暗。这是正常的。
蒸汽积聚在门上，热空气从通风口排出	烹饪时，蒸汽可能从食物中冒出。大多数蒸汽会从通风口排出。但有些会积聚在微波炉门等低温位置。这是正常的。
空微波炉意外启动	禁止运行空设备。这样做很危险。

故障	可能原因	补救措施
微波炉无法启动。	• 电源线未插紧	• 拔掉插头。然后在 10 秒钟后再次插入插头。
	• 保险丝熔断或断路器工作。	• 更换保险丝或复位断路器（由我公司专业人员维修）
	• 插座故障。	• 用其它设备测试插座。
微波炉不加热。	• 门未关好。	• 关好门。



根据废弃电子电气设备（WEEE）指令，应单独收集和处理 WEEE。日后如需处理本产品，请勿将本产品与生活垃圾一起处理。请将本产品送至 WEEE 收集点（如有）。

商标、版权和法律声明

 Midea 标志、文字商标、商品名称、商品外观及其任何形式均属于美的集团和 / 或其关联公司（“美的”）的宝贵资产，美的拥有其商标、版权和其他知识产权，以及因使用美的商标的任何部分而产生的所有商誉。未经美的事先书面同意，将美的商标用于商业目的，可能构成商标侵权或不正当竞争，违反相关法律。

本手册由美的编制，版权归美的所有。未经美的事先书面同意，任何单位和个人不得使用、复制、修改、分发本手册的全部或部分内容，亦不得与其他产品捆绑或出售。

印刷本手册时，所有描述的功能和说明均为最新功能和说明。但由于功能和设计的改进，可能与实物不符。

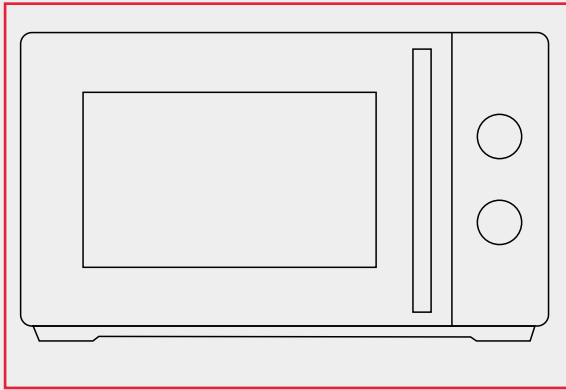


make yourself at home



www.midea.com

© Midea 2022 all rights reserved



MICROWAVE OVEN

USER MANUAL

MMO-MM920MZ(BK)
MMO-MM920MZ(WH)

Warning notices: Before using this product, please read this manual carefully and keep it for future reference. The design and specifications are subject to change without prior notice for product improvement. Consult with your dealer or manufacturer for details.

The diagram above is just for reference. Please take the appearance of the actual product as the standard.

THANK YOU LETTER

Thank you for choosing Midea! Before using your new Midea product, please read this manual thoroughly to ensure that you know how to operate the features and functions that your new appliance offers in a safe way

CONTENTS







THANK YOU LETTER	01
SAFETY INSTRUCTIONS	02
SPECIFICATION	11
PRODUCT OVERVIEW	12
PRODUCT INSTALLATION	13
OPERATION INSTRUCTIONS	14
CLEANING AND MAINTENANCE	16
TROUBLE SHOOTING	17
TRADEMARKS, COPYRIGHTS AND LEGAL STATEMENT	18

SAFETY INSTRUCTIONS

Intended Use

The following safety guidelines are intended to prevent unforeseen risks or damage from unsafe or incorrect operation of the appliance. Please check the packaging and appliance on arrival to make sure everything is intact to ensure safe operation. If you find any damage, please contact the retailer or dealer. Please note modifications or alterations to the appliance are not allowed for your safety concern. Unintended use may cause hazards and loss of warranty claims.

Explanation of Symbols

	Danger This symbol indicates that there are dangers to the life and health of persons due to extremely flammable gas.
	Warning of electrical voltage This symbol indicates that there is a danger to life and health of persons due to voltage.
	Warning The signal word indicates a hazard with a medium level of risk which, if not avoided, may result in death or serious injury.
	Caution The signal word indicates a hazard with a low degree of risk which, if not avoided, may result in minor or moderate injury.
	Attention The signal word indicates important information (e.g. damage to property), but not danger.
	Observe instructions This symbol indicates that a service technician should only operate and maintain this appliance in accordance with the operating instructions.

Read these operating instructions carefully and attentively before using/commissioning the unit and keep them in the immediate vicinity of the installation site or unit for later use!

Precautions To Avoid Possible Exposure To Excessive Microwave Energy

- a. Do not attempt to operate this oven with the door open since this can result in harmful exposure to microwave energy. It is important not to break or tamper with the safety interlocks.
- b. Do not place any object between the oven front face and the door or allow soil or cleaner residue to accumulate on sealing surfaces.
- c. **WARNING:** If the door or door seals are damaged, the oven must not be operated until it has been repaired by a competent person.

Addendum

If the apparatus is not maintained in a good state of cleanliness, its surface could be degraded and affect the lifespan of the apparatus and lead to a dangerous situation.

Important Safety Instructions

⚠ WARNING

To reduce the risk of fire, electric shock, injury to persons or exposure to excessive microwave oven energy when using your appliance, follow basic precautions, including the following:

- Read and follow the specific: "PRECAUTIONS TO AVOID POSSIBLE EXPOSURE TO EXCESSIVE MICROWAVE ENERGY".
- This appliance is not intended for use by persons (including children) with reduced physical, sensory or mental capabilities, or lack of experience and knowledge, unless they have been given supervision or instruction concerning use of the appliance by a person responsible for their safety.
- Children should be supervised to ensure that they do not play with the appliance.
- If the supply cord is damaged, it must be replaced by the manufacturer, its service agent or similarly qualified persons in order to avoid a hazard.
- WARNING: Ensure that the appliance is switched off before replacing the lamp to avoid the possibility of electric shock.
- WARNING: It is hazardous for anyone other than a competent person to carry out any service or repair operation that involves the removal of a cover which gives protection against exposure to microwave energy.

- WARNING: Liquids and other foods must not be heated in sealed containers since they are liable to explode.
- When heating food in plastic or paper containers, keep an eye on the oven due to the possibility of ignition.
- Only use utensils that are suitable for use in microwave ovens.
- If smoke is emitted, switch off or unplug the appliance and keep the door closed in order to stifle any flames.
- Microwave heating of beverages can result in delayed eruptive boiling, therefore care must be taken when handling the container.
- The contents of feeding bottles and baby food jars shall be stirred or shaken and the temperature checked before consumption, in order to avoid burns.
- Eggs in their shell and whole hard-boiled eggs should not be heated in microwave ovens since they may explode, even after microwave heating has ended.
- The oven should be cleaned regularly and any food deposits removed.
- Failure to maintain the oven in a clean condition could lead to deterioration of the surface that could adversely affect the life of the appliance and possibly result in a hazardous situation.
- The appliance must not be installed behind a decorative door in order to avoid overheating. (This is not applicable for appliances with decorative door.)

- Only use the temperature probe recommended for this oven. (for ovens provided with a facility to use a temperature-sensing probe.)
- The microwave oven shall not be placed in a cabinet unless it has been tested in a cabinet.
- The microwave oven must be operated with the decorative door open. (for ovens with a decorative door.)
- This appliance is intended to be used in household and similar applications such as:
 - staff kitchen areas in shops, offices and other working environments;
 - by clients in hotels, motels and other residential type environments;
 - farm houses;
 - bed and breakfast type environments.
- The microwave oven is intended for heating food and beverages. Drying of food or clothing and heating of warming pads, slippers, sponges, damp cloth and similar may lead to risk of injury, ignition or fire.
- Metallic containers for food and beverages are not allowed during microwave cooking.
- The appliance shall not be cleaned with a steam cleaner.
- The appliance is intended to be used freestanding.
- The rear surface of appliances shall be placed against a wall.

**READ CAREFULLY AND KEEP FOR FUTURE
REFERENCE**

To Reduce The Risk Of Injury To Persons Grounding Installation

DANGER

Electric Shock Hazard - Touching some of the internal components can cause serious personal injury or death. Do not disassemble this appliance.

WARNING

Electric Shock Hazard - Improper use of the grounding can result in electric shock.

Do not plug into an outlet until appliance is properly installed and grounded.

This appliance must be grounded. In the event of an electrical short circuit, grounding reduces the risk of electric shock by providing an escape wire for the electric current.

This appliance is equipped with a cord having a grounding wire with a grounding plug. The plug must be plugged into an outlet that is properly installed and grounded.

Consult a qualified electrician or serviceman if the grounding instructions are not completely understood or if doubt exists as to whether the appliance is properly grounded.

If it is necessary to use an extension cord, use only a 3-wire extension cord.

- A short power-supply cord is provided to reduce the risks resulting from becoming entangled in or tripping over a longer cord.

- If a long cord set or extension cord is used:
 - The marked electrical rating of the cord set or extension cord should be at least as great as the electrical rating of the appliance.
 - The extension cord must be a grounding-type 3-wire cord.
 - The long cord should be arranged so that it will not drape over the counter top or tabletop where it can be pulled on by children or tripped over unintentionally.

Utensils

CAUTION

Personal Injury Hazard

It is hazardous for anyone other than a competent person to carry out any service or repair operation that involves the removal of a cover which gives protection against exposure to microwave energy. See the instructions on "Materials you can use in microwave oven or to be avoided in microwave oven." There may be certain non-metallic utensils that are not safe to use for microwaving. If in doubt, you can test the utensil in question following the procedure below.

Utensil Test:

- Fill a microwave-safe container with 1 cup of cold water (250ml) along with the utensil in question.
- Cook on maximum power for 1 minute.
- Carefully feel the utensil. If the empty utensil is warm, do not use it for microwave cooking.
- Do not exceed 1 minute cooking time.

Materials you can use in microwave oven

Utensils	Remarks
Browning dish	Follow manufacturer's instructions. The bottom of browning dish must be at least 3/16 inch (5mm) above the turntable. Incorrect usage may cause the turntable to break.
Dinnerware	Microwave-safe only. Follow manufacturer's instructions. Do not use cracked or chipped dishes.
Glass jars	Always remove lid. Use only to heat food until just warm. Most glass jars are not heat resistant and may break.
Glassware	Heat-resistant oven glassware only. Make sure there is no metallic trim. Do not use cracked or chipped dishes.
Oven cooking bags	Follow manufacturer's instructions. Do not close with metal tie. Make slits to allow steam to escape.
Paper plates and cups	Use for short-term cooking/warming only. Do not leave oven unattended while cooking.
Paper towels	Use to cover food for reheating and absorbing fat. Use with supervision for a short-term cooking only.
Parchment paper	Use as a cover to prevent splattering or a wrap for steaming.
Plastic	Microwave-safe only. Follow the manufacturer's instructions. Should be labeled "Microwave Safe". Some plastic containers soften, as the food inside gets hot. "Boiling bags" and tightly closed plastic bags should be slit, pierced or vented as directed by package.
Plastic wrap	Microwave-safe only. Use to cover food during cooking to retain moisture. Do not allow plastic wrap to touch food.
Thermometers	Microwave-safe only (meat and candy thermometers).
Wax paper	Use as a cover to prevent splattering and retain moisture.

Materials to be avoided in microwave oven

Utensils	Remarks
Aluminum tray	May cause arcing. Transfer food into microwave-safe dish.
Food carton with metal handle	May cause arcing. Transfer food into microwave-safe dish.
Metal or metal-trimmed utensils	Metal shields the food from microwave energy. Metal trim may cause arcing.
Metal twist ties	May cause arcing and could cause a fire in the oven.
Paper bags	May cause a fire in the oven.
Plastic foam	Plastic foam may melt or contaminate the liquid inside when exposed to high temperature.
Wood	Wood will dry out when used in the microwave oven and may split or crack.

SPECIFICATION

MODEL	MMO-MM920MZ(BK) MMO-MM920MZ(WH)
RATED VOLTAGE	230-240V-50Hz
RATED INPUT POWER(MICROWAVE)	1020W
RATED OUTPUT POWER(MICROWAVE)	700W

PRODUCT OVERVIEW

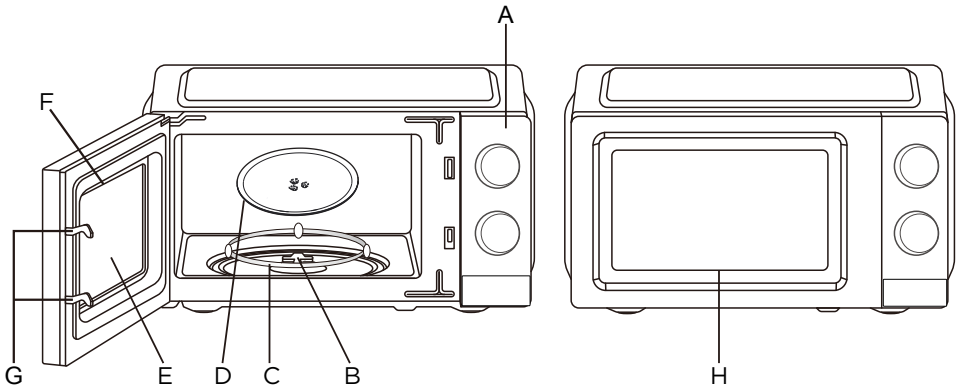
Names of Oven Parts and Accessories

(In case of any differences between the appliance and the pictures in this manual, the product shall prevail.)

⚠ WARNING

Remove the oven and all materials from the carton and oven cavity. Your oven comes with the following accessories:

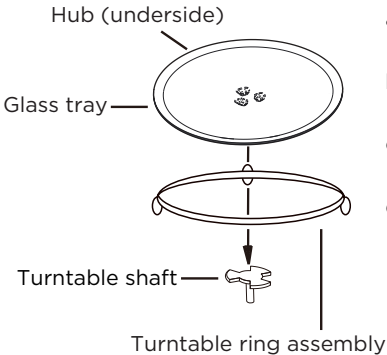
Glass tray	1
Turntable ring assembly	1
Instruction Manual	1



- A) Control panel
- B) Turntable shaft
- C) Turntable ring assembly
- D) Glass tray

- E) Observation window
- F) Door assembly
- G) Safety interlock system
- H) Door

Turntable Installation



- a. Never place the glass tray upside down. The glass tray should never be restricted.
- b. Both glass tray and turntable ring assembly must always be used during cooking.
- c. All food and containers of food are always placed on the glass tray for cooking.
- d. If glass tray or turntable ring assembly cracks or breaks, contact your nearest authorized service center.

PRODUCT INSTALLATION

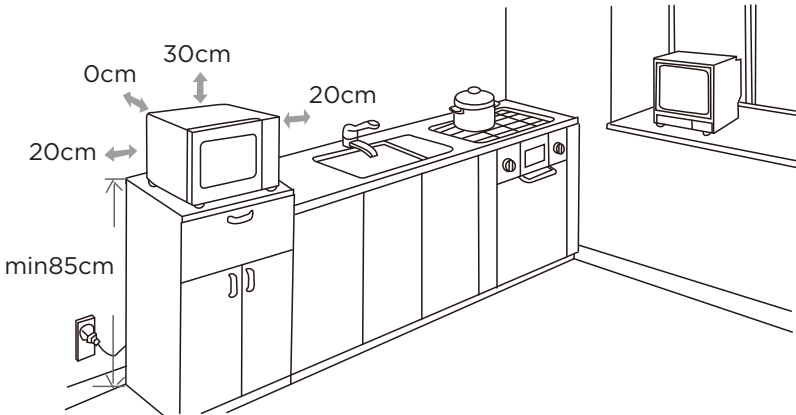
Countertop Installation

Remove all packing material and accessories. Examine the oven for any damage such as dents or broken door. Do not install if oven is damaged.

Cabinet: Remove any protective film found on the microwave oven cabinet surface. Do not remove the **waveguide cover** that is attached to the oven cavity to protect the magnetron.

Installation

1. Select a level surface that provide enough open space for the intake and/or outlet vents.



- The minimum installation height is 85cm.
 - The rear surface of appliance shall be placed against a wall. Leave a minimum clearance of 30cm above the oven, a minimum clearance of 20cm is required between the oven and any adjacent walls.
 - Do not remove the legs from the bottom of the oven.
 - Blocking the intake and/or outlet openings can damage the oven
 - Place the oven as far away from radios and TV as possible. Operation of microwave oven may cause interference to your radio or TV reception.
2. Plug your oven into a standard household outlet. Be sure the voltage and the frequency is the same as the voltage and the frequency on the rating label.

⚠ WARNING

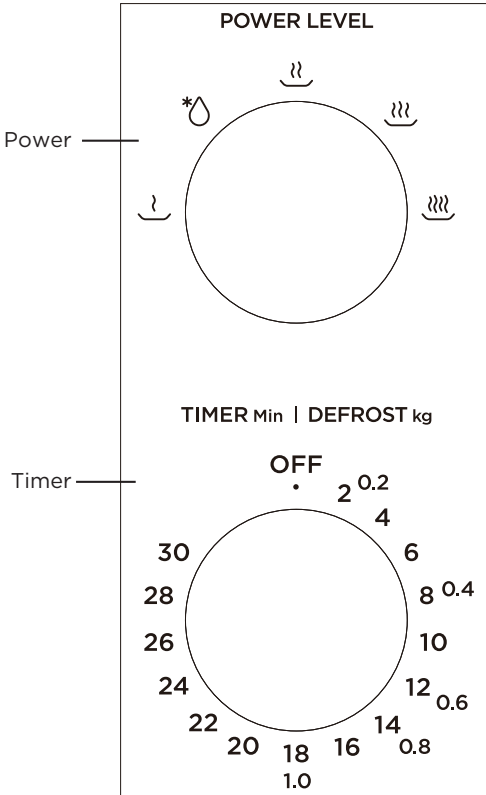
Do not install oven over a range cooktop or other heat-producing appliance. If installed near or over a heat source, the oven could be damaged and the warranty would be void.

The accessible surface may be hot during operation.



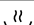
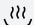



OPERATION INSTRUCTIONS

Control Panel and Features



1. To set cooking power by turning the power knob to desired level.
2. To set the time of cooking by turning the timer knob to desired time per your food cooking guide.
3. The microwave oven will automatically start cooking after power level and time are set.
4. After the cooking time is up, the unit will "Dong" to stop.
5. If the unit is not in use, always set time to "0".

Function/Power	Output	Application
	17% micro.	Soften ice cream
	33% micro.	Soup stew, soften butter or defrost
	55% micro.	Stew, fish
	77% micro.	Rice, fish, chicken, ground meat
	100% micro.	Reheat, milk, boil water, vegetables, beverage

 **NOTICE**

When removing food from the oven, please ensure that the oven power is switched off by turning the clock switch to 0 (zero). Failure to do so, and operating the microwave oven without food in it, can result in overheating and damage to the magnetron.

CLEANING AND MAINTENANCE

Be sure to unplug the appliance from the power supply.

- Clean the cavity of the oven after using with a slightly damp cloth.
- Clean the accessories in the usual way in soapy water.
- The door frame and seal and neighbouring parts must be cleaned carefully with a damp cloth when they are dirty.
- Do not use harsh abrasive cleaners or sharp metal scrapers to clean the oven door glass since they can scratch the surface, which may result in shattering of the glass.
- Cleaning Tip---For easier cleaning of the cavity walls that the food cooked can touch: Place half a lemon in a bowl, add 300ml (1/2 pint) water and heat on 100% microwave power for 10 minutes. Wipe the oven clean using a soft, dry cloth.

TROUBLE SHOOTING


Normal	
Microwave oven interfering TV reception	Radio and TV reception may be interfered when microwave oven operating. It is similar to the interference of small electrical appliances, like mixer, vacuum cleaner, and electric fan. It is normal.
Dim oven light	In low power microwave cooking, oven light may become dim. It is normal.
Steam accumulating on door, hot air out of vents	In cooking, steam may come out of food. Most will get out from vents. But some may accumulate on cool place like oven door. It is normal.
Oven started accidentally with no food in.	It is forbidden to run the unit without any food inside. It is very dangerous.

Trouble	Possible Cause	Remedy
Oven can not be started.	<ul style="list-style-type: none"> Power cord is not plugged in tightly. 	<ul style="list-style-type: none"> Unplug. Then plug again after 10 seconds.
	<ul style="list-style-type: none"> Fuse blowing or circuit breaker works. 	<ul style="list-style-type: none"> Replace fuse or reset circuit breaker (repaired by professional personnel of our company)
	<ul style="list-style-type: none"> Trouble with outlet. 	<ul style="list-style-type: none"> Test outlet with other electrical appliances.
Oven does not heat.	<ul style="list-style-type: none"> Door is not closed well. 	<ul style="list-style-type: none"> Close door well.



According to Waste of Electrical and Electronic Equipment (WEEE) directive, WEEE should be separately collected and treated. If at any time in future you need to dispose of this product please do NOT dispose of this product with household waste. Please send this product to WEEE collecting points where available.

TRADEMARKS, COPYRIGHTS AND LEGAL STATEMENT

 Midea logo, word marks, trade name, trade dress and all versions thereof are valuable assets of Midea Group and/or its affiliates (“Midea”), to which Midea owns trademarks, copyrights and other intellectual property rights, and all goodwill derived from using any part of an Midea trademark. Use of Midea trademark for commercial purposes without the prior written consent of Midea may constitute trademark infringement or unfair competition in violation of relevant laws.

This manual is created by Midea and Midea reserves all copyrights thereof. No entity or individual may use, duplicate, modify, distribute in whole or in part this manual, or bundle or sell with other products without the prior written consent of Midea.

All the described functions and instructions were up to date at the time of printing this manual. However, the actual product may vary due to improved functions and designs.

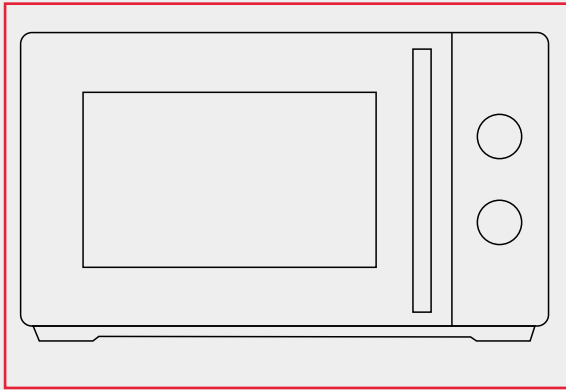


make yourself at home



www.midea.com

© Midea 2022 all rights reserved



MICROWAVE OVEN

USER MANUAL

MM7P012MZ-PBOFOM

Warning notices: Before using this product, please read this manual carefully and keep it for future reference. The design and specifications are subject to change without prior notice for product improvement. Consult with your dealer or manufacturer for details.

The diagram above is just for reference. Please take the appearance of the actual product as the standard.

THANK YOU LETTER

Thank you for choosing Midea! Before using your new Midea product, please read this manual thoroughly to ensure that you know how to operate the features and functions that your new appliance offers in a safe way

CONTENTS







THANK YOU LETTER	01
SAFETY INSTRUCTIONS	02
SPECIFICATION	11
PRODUCT OVERVIEW	12
PRODUCT INSTALLATION	13
OPERATION INSTRUCTIONS	14
CLEANING AND MAINTENANCE	16
TROUBLE SHOOTING	17
TRADEMARKS, COPYRIGHTS AND LEGAL STATEMENT	18

SAFETY INSTRUCTIONS

Intended Use

The following safety guidelines are intended to prevent unforeseen risks or damage from unsafe or incorrect operation of the appliance. Please check the packaging and appliance on arrival to make sure everything is intact to ensure safe operation. If you find any damage, please contact the retailer or dealer. Please note modifications or alterations to the appliance are not allowed for your safety concern. Unintended use may cause hazards and loss of warranty claims.

Explanation of Symbols

	Danger This symbol indicates that there are dangers to the life and health of persons due to extremely flammable gas.
	Warning of electrical voltage This symbol indicates that there is a danger to life and health of persons due to voltage.
	Warning The signal word indicates a hazard with a medium level of risk which, if not avoided, may result in death or serious injury.
	Caution The signal word indicates a hazard with a low degree of risk which, if not avoided, may result in minor or moderate injury.
	Attention The signal word indicates important information (e.g. damage to property), but not danger.
	Observe instructions This symbol indicates that a service technician should only operate and maintain this appliance in accordance with the operating instructions.

Read these operating instructions carefully and attentively before using/commissioning the unit and keep them in the immediate vicinity of the installation site or unit for later use!

Precautions To Avoid Possible Exposure To Excessive Microwave Energy

- a. Do not attempt to operate this oven with the door open since this can result in harmful exposure to microwave energy. It is important not to break or tamper with the safety interlocks.
- b. Do not place any object between the oven front face and the door or allow soil or cleaner residue to accumulate on sealing surfaces.
- c. **WARNING:** If the door or door seals are damaged, the oven must not be operated until it has been repaired by a competent person.

Addendum

If the apparatus is not maintained in a good state of cleanliness, its surface could be degraded and affect the lifespan of the apparatus and lead to a dangerous situation.

Important Safety Instructions

⚠ WARNING

To reduce the risk of fire, electric shock, injury to persons or exposure to excessive microwave oven energy when using your appliance, follow basic precautions, including the following:

- Read and follow the specific: "PRECAUTIONS TO AVOID POSSIBLE EXPOSURE TO EXCESSIVE MICROWAVE ENERGY".
- This appliance is not intended for use by persons (including children) with reduced physical, sensory or mental capabilities, or lack of experience and knowledge, unless they have been given supervision or instruction concerning use of the appliance by a person responsible for their safety.
- Children should be supervised to ensure that they do not play with the appliance.
- If the supply cord is damaged, it must be replaced by the manufacturer, its service agent or similarly qualified persons in order to avoid a hazard.
- WARNING: Ensure that the appliance is switched off before replacing the lamp to avoid the possibility of electric shock.
- WARNING: It is hazardous for anyone other than a competent person to carry out any service or repair operation that involves the removal of a cover which gives protection against exposure to microwave energy.

- WARNING: Liquids and other foods must not be heated in sealed containers since they are liable to explode.
- When heating food in plastic or paper containers, keep an eye on the oven due to the possibility of ignition.
- Only use utensils that are suitable for use in microwave ovens.
- If smoke is emitted, switch off or unplug the appliance and keep the door closed in order to stifle any flames.
- Microwave heating of beverages can result in delayed eruptive boiling, therefore care must be taken when handling the container.
- The contents of feeding bottles and baby food jars shall be stirred or shaken and the temperature checked before consumption, in order to avoid burns.
- Eggs in their shell and whole hard-boiled eggs should not be heated in microwave ovens since they may explode, even after microwave heating has ended.
- The oven should be cleaned regularly and any food deposits removed.
- Failure to maintain the oven in a clean condition could lead to deterioration of the surface that could adversely affect the life of the appliance and possibly result in a hazardous situation.
- The appliance must not be installed behind a decorative door in order to avoid overheating. (This is not applicable for appliances with decorative door.)

- Only use the temperature probe recommended for this oven. (for ovens provided with a facility to use a temperature-sensing probe.)
- The microwave oven shall not be placed in a cabinet unless it has been tested in a cabinet.
- The microwave oven must be operated with the decorative door open. (for ovens with a decorative door.)
- This appliance is intended to be used in household and similar applications such as:
 - staff kitchen areas in shops, offices and other working environments;
 - by clients in hotels, motels and other residential type environments;
 - farm houses;
 - bed and breakfast type environments.
- The microwave oven is intended for heating food and beverages. Drying of food or clothing and heating of warming pads, slippers, sponges, damp cloth and similar may lead to risk of injury, ignition or fire.
- Metallic containers for food and beverages are not allowed during microwave cooking.
- The appliance shall not be cleaned with a steam cleaner.
- The appliance is intended to be used freestanding.
- The rear surface of appliances shall be placed against a wall.

**READ CAREFULLY AND KEEP FOR FUTURE
REFERENCE**

To Reduce The Risk Of Injury To Persons Grounding Installation

DANGER

Electric Shock Hazard - Touching some of the internal components can cause serious personal injury or death. Do not disassemble this appliance.

WARNING

Electric Shock Hazard - Improper use of the grounding can result in electric shock.

Do not plug into an outlet until appliance is properly installed and grounded.

This appliance must be grounded. In the event of an electrical short circuit, grounding reduces the risk of electric shock by providing an escape wire for the electric current.

This appliance is equipped with a cord having a grounding wire with a grounding plug. The plug must be plugged into an outlet that is properly installed and grounded.

Consult a qualified electrician or serviceman if the grounding instructions are not completely understood or if doubt exists as to whether the appliance is properly grounded.

If it is necessary to use an extension cord, use only a 3-wire extension cord.

- A short power-supply cord is provided to reduce the risks resulting from becoming entangled in or tripping over a longer cord.

- If a long cord set or extension cord is used:
 - The marked electrical rating of the cord set or extension cord should be at least as great as the electrical rating of the appliance.
 - The extension cord must be a grounding-type 3-wire cord.
 - The long cord should be arranged so that it will not drape over the counter top or tabletop where it can be pulled on by children or tripped over unintentionally.

Utensils

CAUTION

Personal Injury Hazard

It is hazardous for anyone other than a competent person to carry out any service or repair operation that involves the removal of a cover which gives protection against exposure to microwave energy. See the instructions on "Materials you can use in microwave oven or to be avoided in microwave oven." There may be certain non-metallic utensils that are not safe to use for microwaving. If in doubt, you can test the utensil in question following the procedure below.

Utensil Test:

- Fill a microwave-safe container with 1 cup of cold water (250ml) along with the utensil in question.
- Cook on maximum power for 1 minute.
- Carefully feel the utensil. If the empty utensil is warm, do not use it for microwave cooking.
- Do not exceed 1 minute cooking time.

Materials you can use in microwave oven

Utensils	Remarks
Browning dish	Follow manufacturer's instructions. The bottom of browning dish must be at least 3/16 inch (5mm) above the turntable. Incorrect usage may cause the turntable to break.
Dinnerware	Microwave-safe only. Follow manufacturer's instructions. Do not use cracked or chipped dishes.
Glass jars	Always remove lid. Use only to heat food until just warm. Most glass jars are not heat resistant and may break.
Glassware	Heat-resistant oven glassware only. Make sure there is no metallic trim. Do not use cracked or chipped dishes.
Oven cooking bags	Follow manufacturer's instructions. Do not close with metal tie. Make slits to allow steam to escape.
Paper plates and cups	Use for short-term cooking/warming only. Do not leave oven unattended while cooking.
Paper towels	Use to cover food for reheating and absorbing fat. Use with supervision for a short-term cooking only.
Parchment paper	Use as a cover to prevent splattering or a wrap for steaming.
Plastic	Microwave-safe only. Follow the manufacturer's instructions. Should be labeled "Microwave Safe". Some plastic containers soften, as the food inside gets hot. "Boiling bags" and tightly closed plastic bags should be slit, pierced or vented as directed by package.
Plastic wrap	Microwave-safe only. Use to cover food during cooking to retain moisture. Do not allow plastic wrap to touch food.
Thermometers	Microwave-safe only (meat and candy thermometers).
Wax paper	Use as a cover to prevent splattering and retain moisture.

Materials to be avoided in microwave oven

Utensils	Remarks
Aluminum tray	May cause arcing. Transfer food into microwave-safe dish.
Food carton with metal handle	May cause arcing. Transfer food into microwave-safe dish.
Metal or metal-trimmed utensils	Metal shields the food from microwave energy. Metal trim may cause arcing.
Metal twist ties	May cause arcing and could cause a fire in the oven.
Paper bags	May cause a fire in the oven.
Plastic foam	Plastic foam may melt or contaminate the liquid inside when exposed to high temperature.
Wood	Wood will dry out when used in the microwave oven and may split or crack.

SPECIFICATION

MODEL	MM7P012MZ-PBOFOM
RATED VOLTAGE	230-240V-50Hz
RATED INPUT POWER(MICROWAVE)	1020W
RATED OUTPUT POWER(MICROWAVE)	700W

PRODUCT OVERVIEW

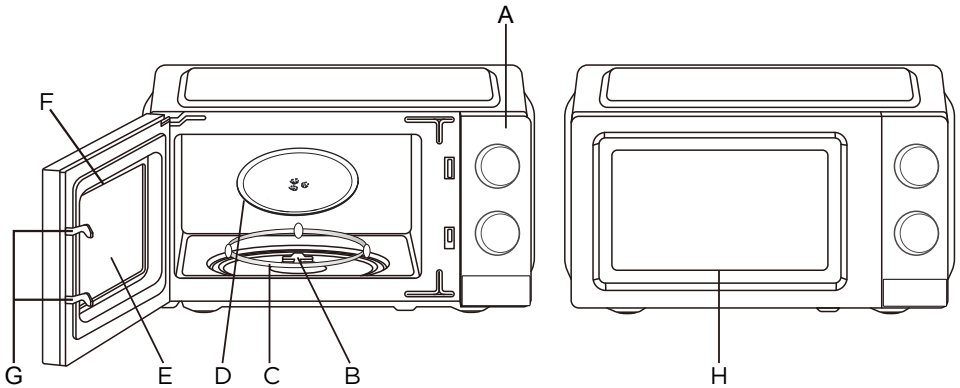
Names of Oven Parts and Accessories

(In case of any differences between the appliance and the pictures in this manual, the product shall prevail.)

⚠ WARNING

Remove the oven and all materials from the carton and oven cavity. Your oven comes with the following accessories:

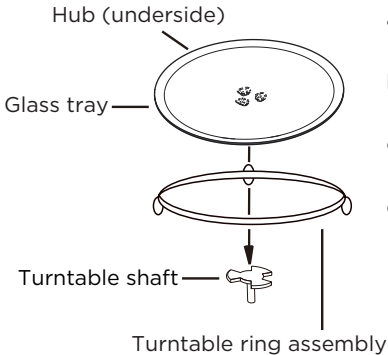
Glass tray	1
Turntable ring assembly	1
Instruction Manual	1



- A) Control panel
- B) Turntable shaft
- C) Turntable ring assembly
- D) Glass tray

- E) Observation window
- F) Door assembly
- G) Safety interlock system
- H) Door

Turntable Installation



- a. Never place the glass tray upside down. The glass tray should never be restricted.
- b. Both glass tray and turntable ring assembly must always be used during cooking.
- c. All food and containers of food are always placed on the glass tray for cooking.
- d. If glass tray or turntable ring assembly cracks or breaks, contact your nearest authorized service center.

PRODUCT INSTALLATION

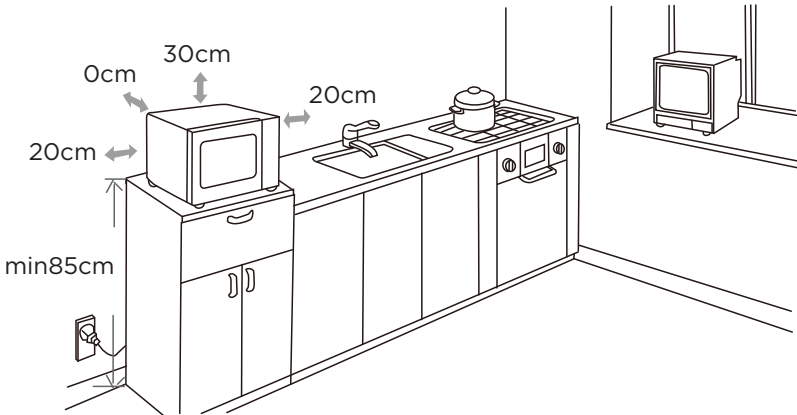
Countertop Installation

Remove all packing material and accessories. Examine the oven for any damage such as dents or broken door. Do not install if oven is damaged.

Cabinet: Remove any protective film found on the microwave oven cabinet surface. Do not remove the **waveguide cover** that is attached to the oven cavity to protect the magnetron.

Installation

1. Select a level surface that provide enough open space for the intake and/or outlet vents.



- The minimum installation height is 85cm.
 - The rear surface of appliance shall be placed against a wall. Leave a minimum clearance of 30cm above the oven, a minimum clearance of 20cm is required between the oven and any adjacent walls.
 - Do not remove the legs from the bottom of the oven.
 - Blocking the intake and/or outlet openings can damage the oven
 - Place the oven as far away from radios and TV as possible. Operation of microwave oven may cause interference to your radio or TV reception.
2. Plug your oven into a standard household outlet. Be sure the voltage and the frequency is the same as the voltage and the frequency on the rating label.

⚠ WARNING

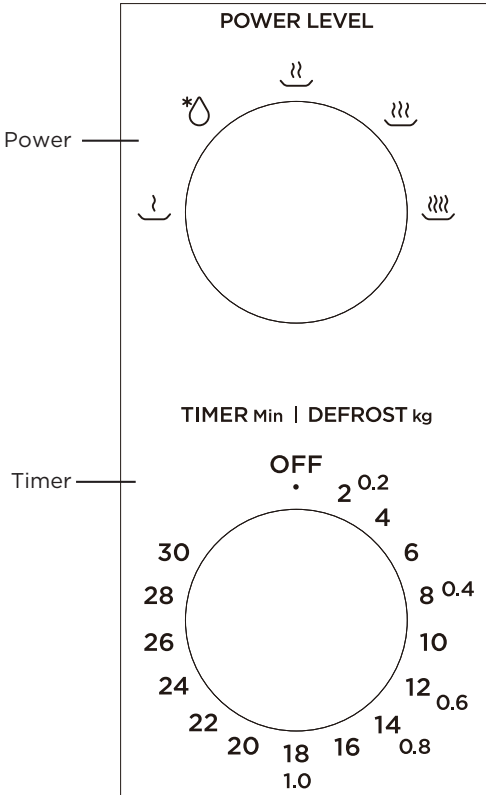
Do not install oven over a range cooktop or other heat-producing appliance. If installed near or over a heat source, the oven could be damaged and the warranty would be void.

The accessible surface may be hot during operation.



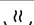
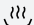



OPERATION INSTRUCTIONS

Control Panel and Features



1. To set cooking power by turning the power knob to desired level.
2. To set the time of cooking by turning the timer knob to desired time per your food cooking guide.
3. The microwave oven will automatically start cooking after power level and time are set.
4. After the cooking time is up, the unit will "Dong" to stop.
5. If the unit is not in use, always set time to "0".

Function/Power	Output	Application
	17% micro.	Soften ice cream
	33% micro.	Soup stew, soften butter or defrost
	55% micro.	Stew, fish
	77% micro.	Rice, fish, chicken, ground meat
	100% micro.	Reheat, milk, boil water, vegetables, beverage

 **NOTICE**

When removing food from the oven, please ensure that the oven power is switched off by turning the clock switch to 0 (zero). Failure to do so, and operating the microwave oven without food in it, can result in overheating and damage to the magnetron.

CLEANING AND MAINTENANCE

Be sure to unplug the appliance from the power supply.

- Clean the cavity of the oven after using with a slightly damp cloth.
- Clean the accessories in the usual way in soapy water.
- The door frame and seal and neighbouring parts must be cleaned carefully with a damp cloth when they are dirty.
- Do not use harsh abrasive cleaners or sharp metal scrapers to clean the oven door glass since they can scratch the surface, which may result in shattering of the glass.
- Cleaning Tip---For easier cleaning of the cavity walls that the food cooked can touch: Place half a lemon in a bowl, add 300ml (1/2 pint) water and heat on 100% microwave power for 10 minutes. Wipe the oven clean using a soft, dry cloth.

TROUBLE SHOOTING


Normal	
Microwave oven interfering TV reception	Radio and TV reception may be interfered when microwave oven operating. It is similar to the interference of small electrical appliances, like mixer, vacuum cleaner, and electric fan. It is normal.
Dim oven light	In low power microwave cooking, oven light may become dim. It is normal.
Steam accumulating on door, hot air out of vents	In cooking, steam may come out of food. Most will get out from vents. But some may accumulate on cool place like oven door. It is normal.
Oven started accidentally with no food in.	It is forbidden to run the unit without any food inside. It is very dangerous.

Trouble	Possible Cause	Remedy
Oven can not be started.	<ul style="list-style-type: none"> Power cord is not plugged in tightly. 	<ul style="list-style-type: none"> Unplug. Then plug again after 10 seconds.
	<ul style="list-style-type: none"> Fuse blowing or circuit breaker works. 	<ul style="list-style-type: none"> Replace fuse or reset circuit breaker (repaired by professional personnel of our company)
	<ul style="list-style-type: none"> Trouble with outlet. 	<ul style="list-style-type: none"> Test outlet with other electrical appliances.
Oven does not heat.	<ul style="list-style-type: none"> Door is not closed well. 	<ul style="list-style-type: none"> Close door well.



According to Waste of Electrical and Electronic Equipment (WEEE) directive, WEEE should be separately collected and treated. If at any time in future you need to dispose of this product please do NOT dispose of this product with household waste. Please send this product to WEEE collecting points where available.

TRADEMARKS, COPYRIGHTS AND LEGAL STATEMENT

 Midea logo, word marks, trade name, trade dress and all versions thereof are valuable assets of Midea Group and/or its affiliates (“Midea”), to which Midea owns trademarks, copyrights and other intellectual property rights, and all goodwill derived from using any part of an Midea trademark. Use of Midea trademark for commercial purposes without the prior written consent of Midea may constitute trademark infringement or unfair competition in violation of relevant laws.

This manual is created by Midea and Midea reserves all copyrights thereof. No entity or individual may use, duplicate, modify, distribute in whole or in part this manual, or bundle or sell with other products without the prior written consent of Midea.

All the described functions and instructions were up to date at the time of printing this manual. However, the actual product may vary due to improved functions and designs.



make yourself at home



www.midea.com

© Midea 2022 all rights reserved